

Fastener, Standard: Screw [#8-32 X 0.250 TLG] 303 SS, Socket Set Half Dog Point

010-01-000 Ball [Ø 0.1250] Steel
018-01-004

TORQUE: 11±1 IN.LB.

010-01-003 Ball [Ø 0.1875] Delrin

210-24-085 Lockring, Resi End Cap, 2017 LIVE [1.150 TLG, 1.050 OD]

NOTE: ORIENTATION CRITICAL

805-00-092-KIT Piston Assembly: Floating [Ø 0.940 Bore, 0.325 TLG]
813-00-274-KIT Resi Endcap Assy: Live, [.940 Bore] Black Ano III

TORQUE: 15±5 IN.LB AFTER NITROGEN

IMPORTANT: ENSURE RING IS SEATED FULL 360°

038-01-040 Retaining Ring: Wire [1.070 OD x 0.040 CS]

207-50-006 Body: (T) Float [Ø 0.940 Bore, 1.060 OD, 4.312 TLG] Al 6061, Kashima, 2.25

TORQUE: 45±5 IN.LB.

029-03-022 O-Ring (-022) [1.070 C.S. X .989 ID]

GREASE: THIN LAYER OF SLICK HONEY

806-29-599-KIT Sleeve Assembly: 2018, 1.500 Bore, LV, EVOL, Kashima, 7.875 X 2.25/2.00, 0.5" Shaft

OIL

010-00-011 Pellet [Ø 0.275 X 0.125 TLG] NBR A90

TORQUE: 20±2 FT.LB.

TORQUE: 14±2 IN.LB.

010-00-010 Pellet Retainer [5/16-24, .220 TLG]

010-01-003 Ball [Ø 0.1875] Delrin

812-06-090-KIT Bearing Assy: FLOAT, 2018, Tall [.940 Bore, 1.500 Bore, .500in Shaft]

210-24-393 RD Adj Insert, 2014 Float X, 28deg Taper [1.126 Hex, .175 TLG, 6x .059 thru]

TORQUE: 80±5 IN.LB.

TORQUE: 60±5 IN.LB.

NOTE: ORIENTATION CRITICAL

OIL: THIN LAYER OF SHOCK OIL

OIL: THIN LAYER OF SHOCK OIL

807-72-248-KIT Valving Assy: 2019 Float LIVE Valve, Main Piston, Complete Assy

230-22-001 Shaft: (T) [.390/.360 ID X .498 OD X 3.13 TLG] 7.875 X 2.0/2.25

OIL: FULLY COAT WITH SHOCK OIL

LOCTITE: RED 277 360° 1-3 THREADS

TORQUE: 110±5 IN.LB.

210-90-001 Rebound Rod, (T) 2014 Float X, 3.395 TLG for 7.875 X 2.0/2.25

029-08-205 Seals: O-Ring [3.0mm ID X 1.0mm CS] Metric, A90 NBR, Static

029-03-110 O-Ring (-110) [1.103 C.S. X .362 ID]

041-15-110 Valve: [1.100 OD X .504 ID X .015 TH]

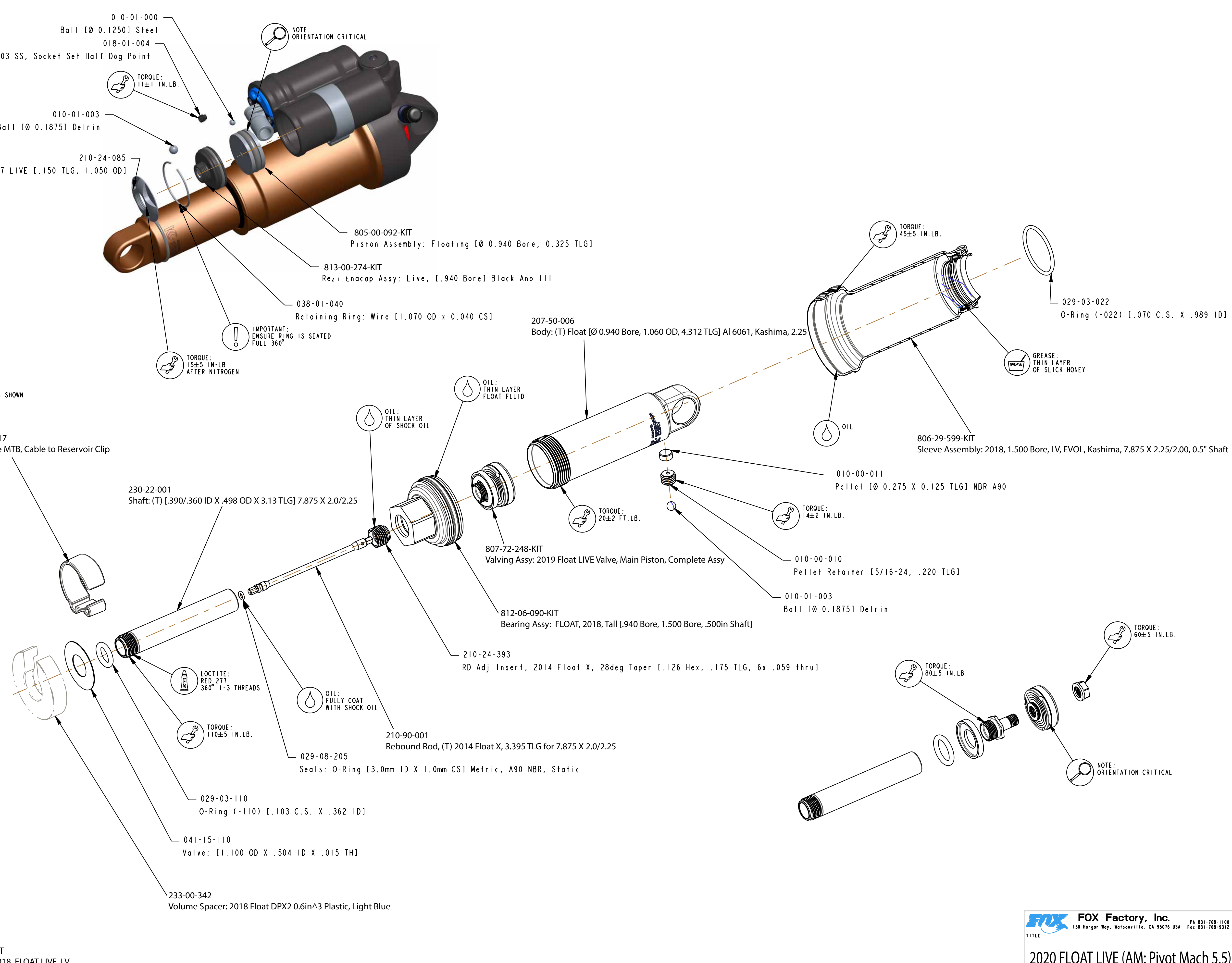
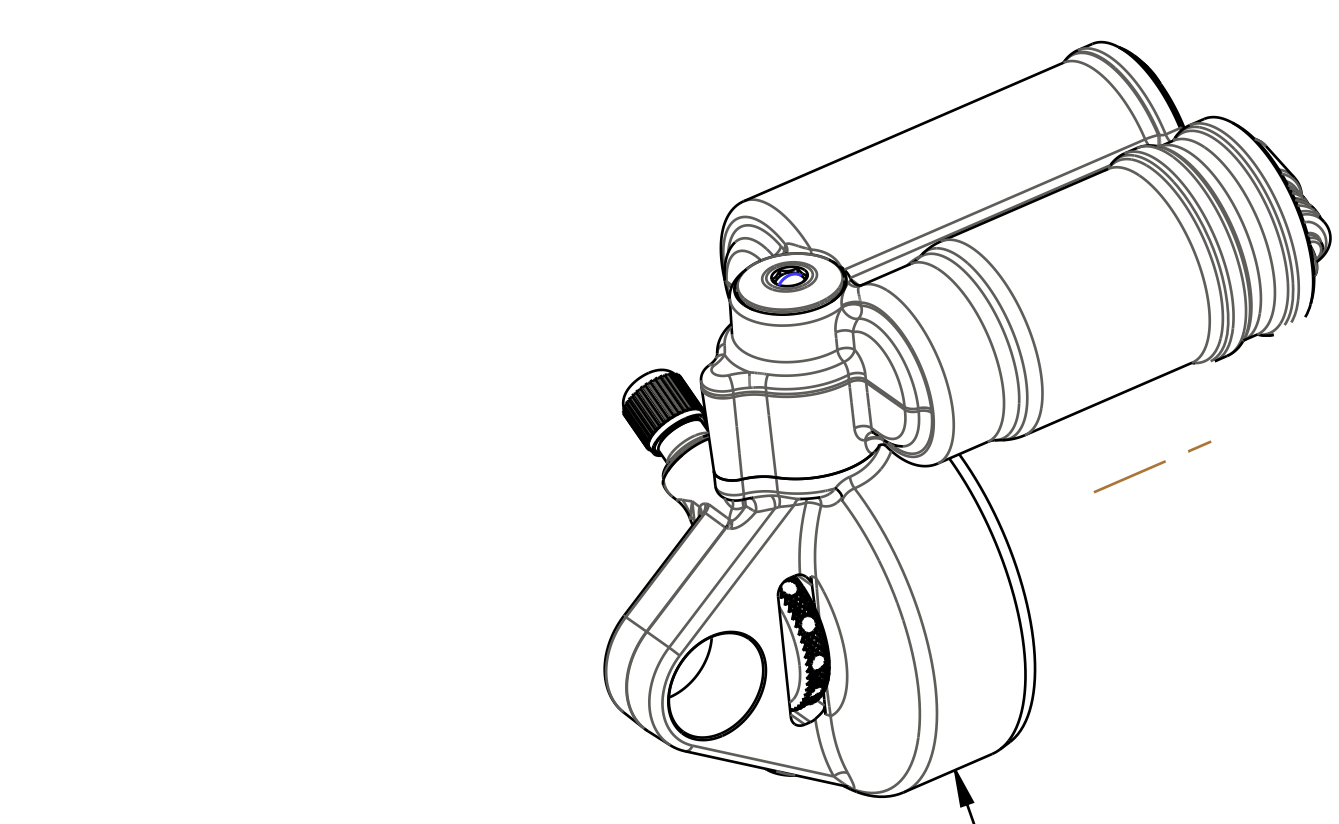
233-00-342 Volume Spacer: 2018 Float DPX2 0.6in^3 Plastic, Light Blue

808-17-308-KIT Eyelet Assy: 2018, FLOAT LIVE, LV

IMPORTANT: ORIENT ADJUSTER AND CABLE END AS SHOWN

90° ± 10°

IMPORTANT: ORIENT CABLE CLIP AS SHOWN



PROPRIETARY - THIS DOCUMENT CONTAINS CONFIDENTIAL, PROPRIETARY INFORMATION THAT IS FOR PROPERTY. DO NOT DISCLOSE TO OR DUPLICATE FOR OTHERS EXCEPT AS AUTHORIZED BY FOX.

FOX Factory, Inc. Ph 831-768-1100 130 Hangar Way, Watsonville, CA 95076 USA Fax 831-768-9312

2020 FLOAT LIVE (AM: Pivot Mach 5.5)

PLOT SCALE 1:1 SHEET 1 OF 2